

SMS-300

Digital High-End Stroboscope

Features

- Flash frequency up to 35.000 min^{-1} with flash controller for continuous use
- Robust aluminium housing and polished reflector for optimised illumination uniformity
- Programmable flash delay (rotation angle or time related) for external trigger
- Instruments for VAC or combined VAC/battery operation
- Signal output for synchronised triggering of chained flashing units



Details



Series SMS-300 stroboscopes can either be hand-operated or mounted on a tripod, and can be used to observe fast repeated motions as well as to determine RPM or rate of machinery components. Not only continuous motions of materials, but also processes, which are normally impossible to observe due to their high rate, can be visualised.

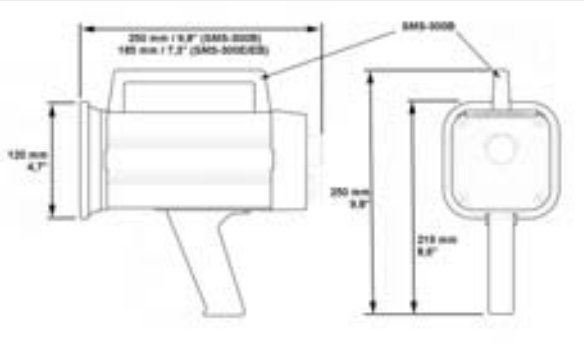
The turning or oscillating machine part can be visualised as a stop-motion picture by adjusting the light flashes synchronously to the rate of the movement. With the multiplier/divider function, it is able to determine the actual RPM or frequency of the motion accurately. The phase shift function enables slow-motion effects and visual positioning of the observed component.

The instrument can be triggered by means of an external sensor (power supply for the sensor is provided by the stroboscope). The flashes can be delayed either in time or rotation angle.

Order Info

SMS-300E

SMS-300B



Standard

Stroboscope with external power supply, mains cord and operation manual.

Stroboscope with internal rechargeable battery, AC-charger, mains cord and operation manual.

Option

SMS-907 Spare flash tube
SMS-800 Calibration certificate – Stroboscopes

Spec

SMS-300E

SMS-300B

		SMS-300E	SMS-300B
Range		40...35.000 FPM	
Accuracy		0,01% (+/-1 digit)	
Resolution		0,1 FPM 0,2FPM (5.000...7.999,8) 0,5 FPM (8.000...9.999,5) 1 FPM (> 10.000)	
Phase Shift	internal trigger	360°	
	external trigger	0°...359° (resolution 1°)	
	delay time (ext.)	0...2.000 msec	
Multiplier		X 2 X 1½	
Output Signal		12VDC, 400µsec	
Input Signal	type	NPN open collector L:0...0,8VCD H:2,5...12VDC, 50msec, Imp. 10kOhm	
	sensor voltage supply	12 VDC, 40 mA	
Display	type	red LED, 5-digit, 10mm high	
Flash Tube	type	Xenon 10 W white 6500K	
	life time	100 mio flashes	
	flashing time /- illuminance	10...40 µsec / ~ 350 Lux	
Battery	type	- / -	internal NiCd-battery
	operation/ recharge time	- / -	app. 60 min / app. 15 h
	overcharge protection	- / -	✓
	operation during charging	- / -	✓
Power Supply		230 VAC (50...60Hz)	Charger: 100...240VDC (50...60Hz)
Temperature Range	operation	0...40° C	
Weight		1.200 g	2.100 g
Housing Material		anodised aluminium	
Tripod Fixing		1/4-20unc, length 8mm	